

FIG.1

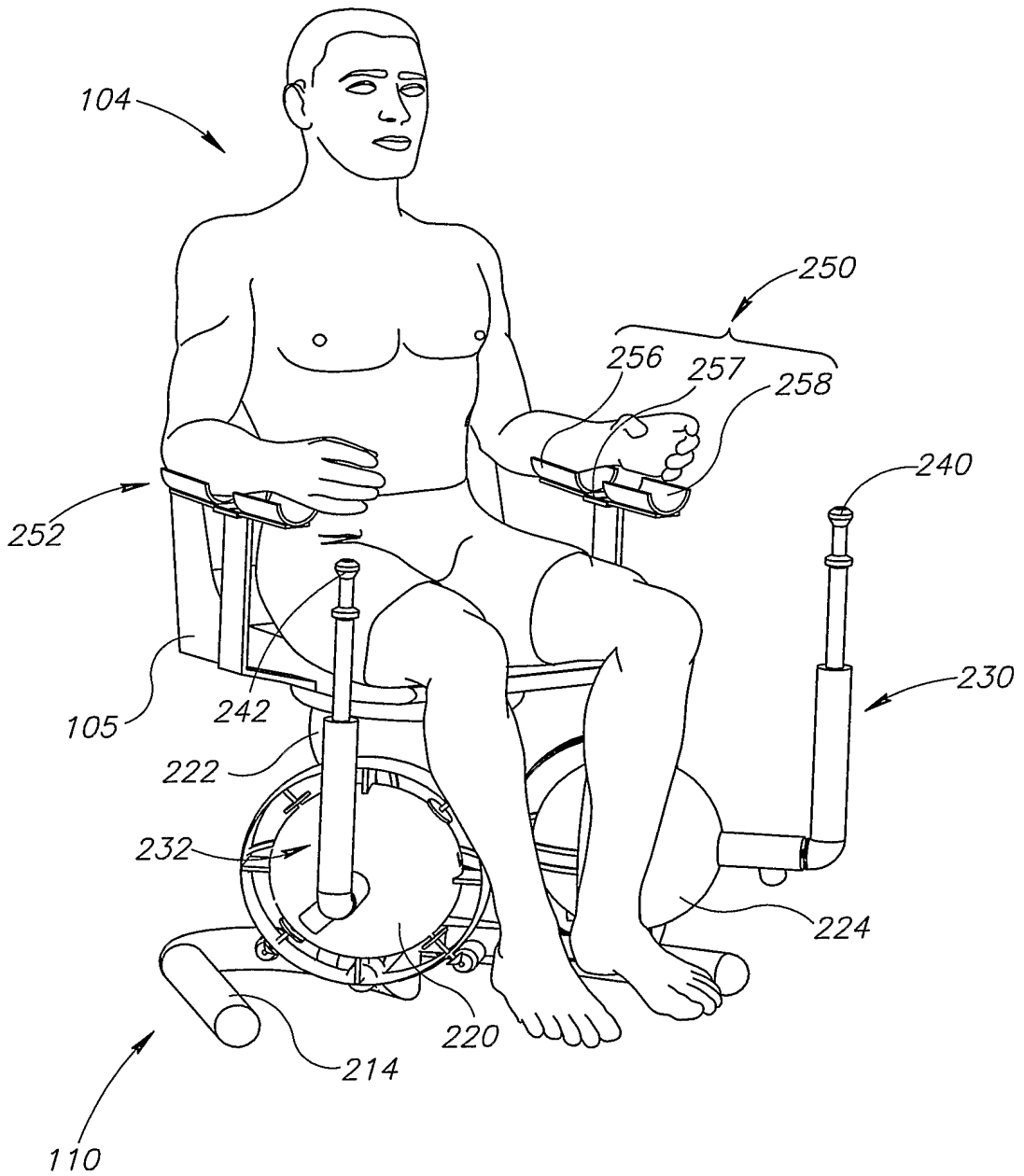


FIG.2

3/17

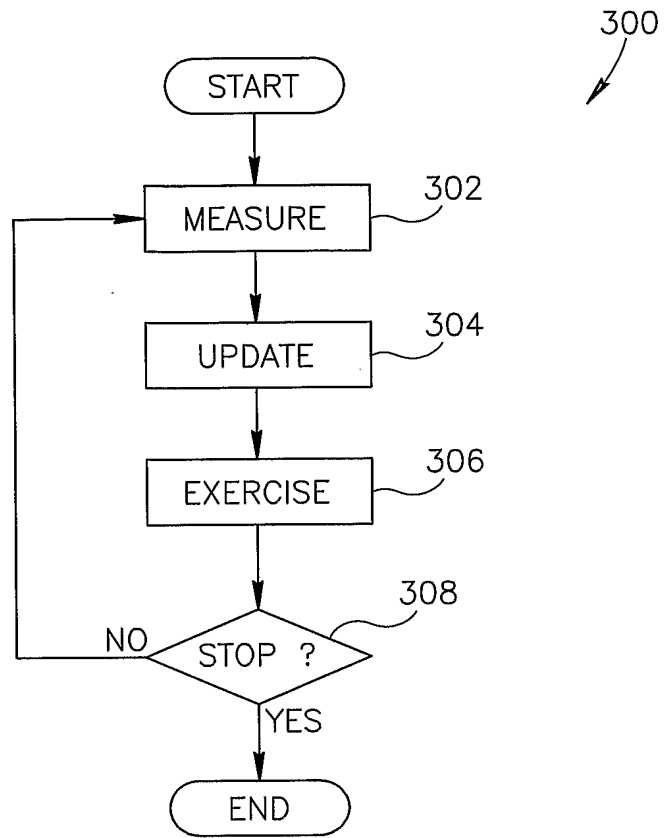


FIG.3

4/17

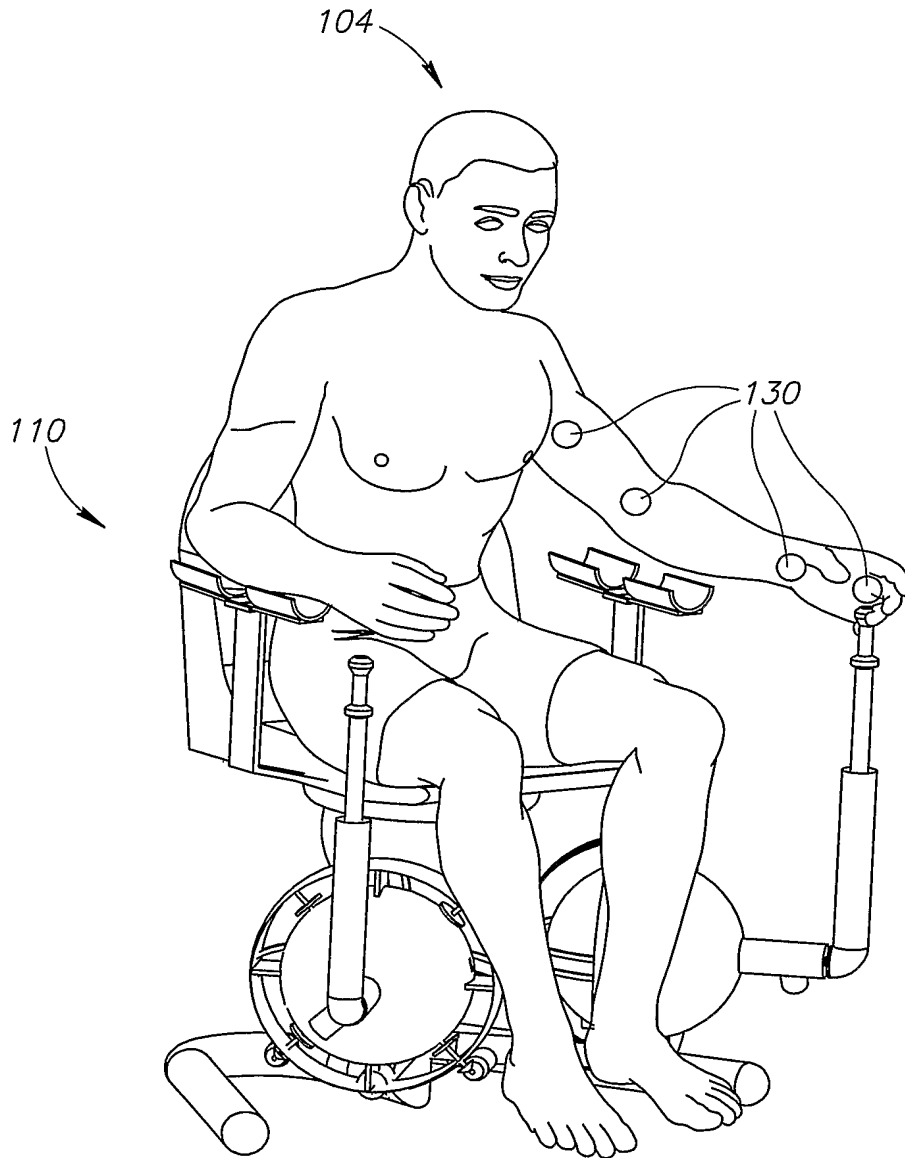


FIG. 4

5/17

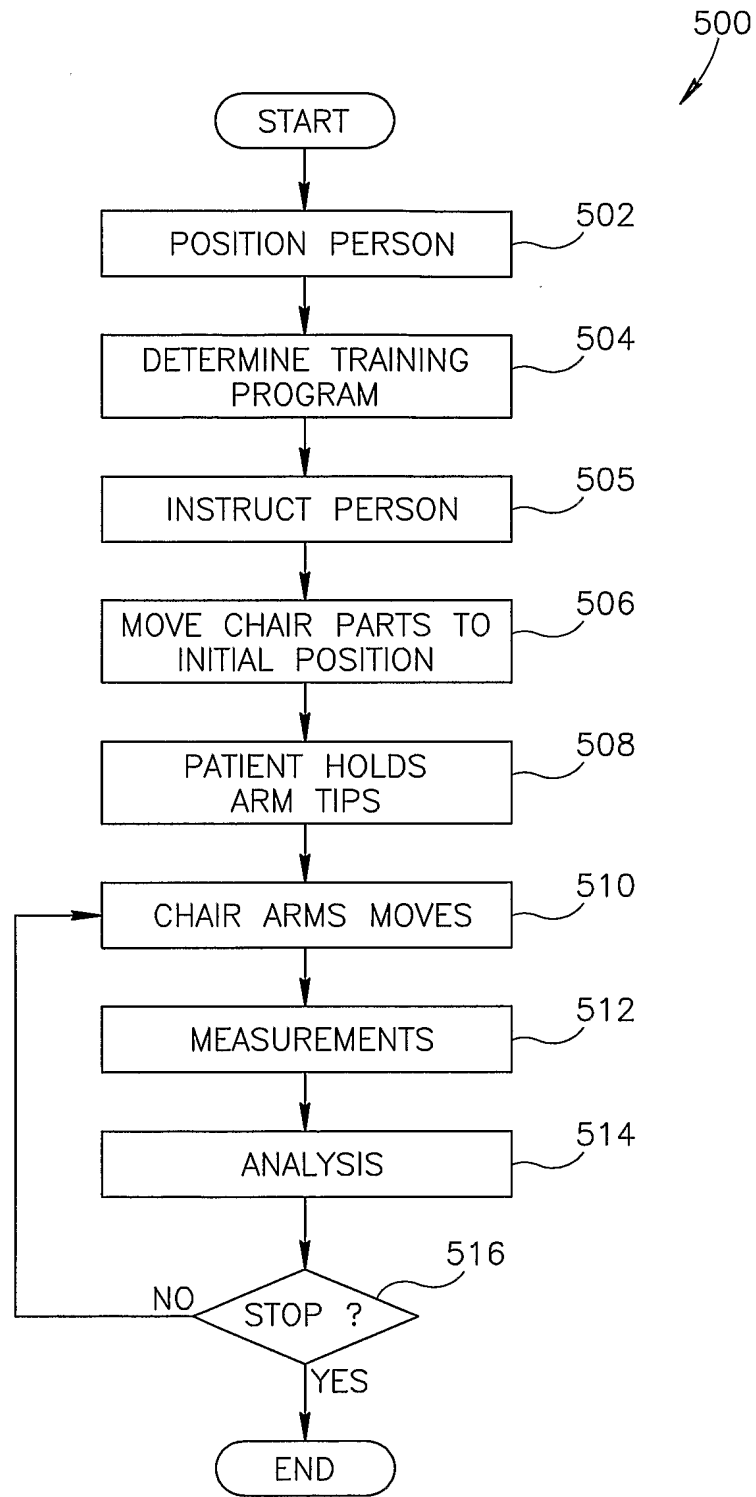


FIG.5

6/17

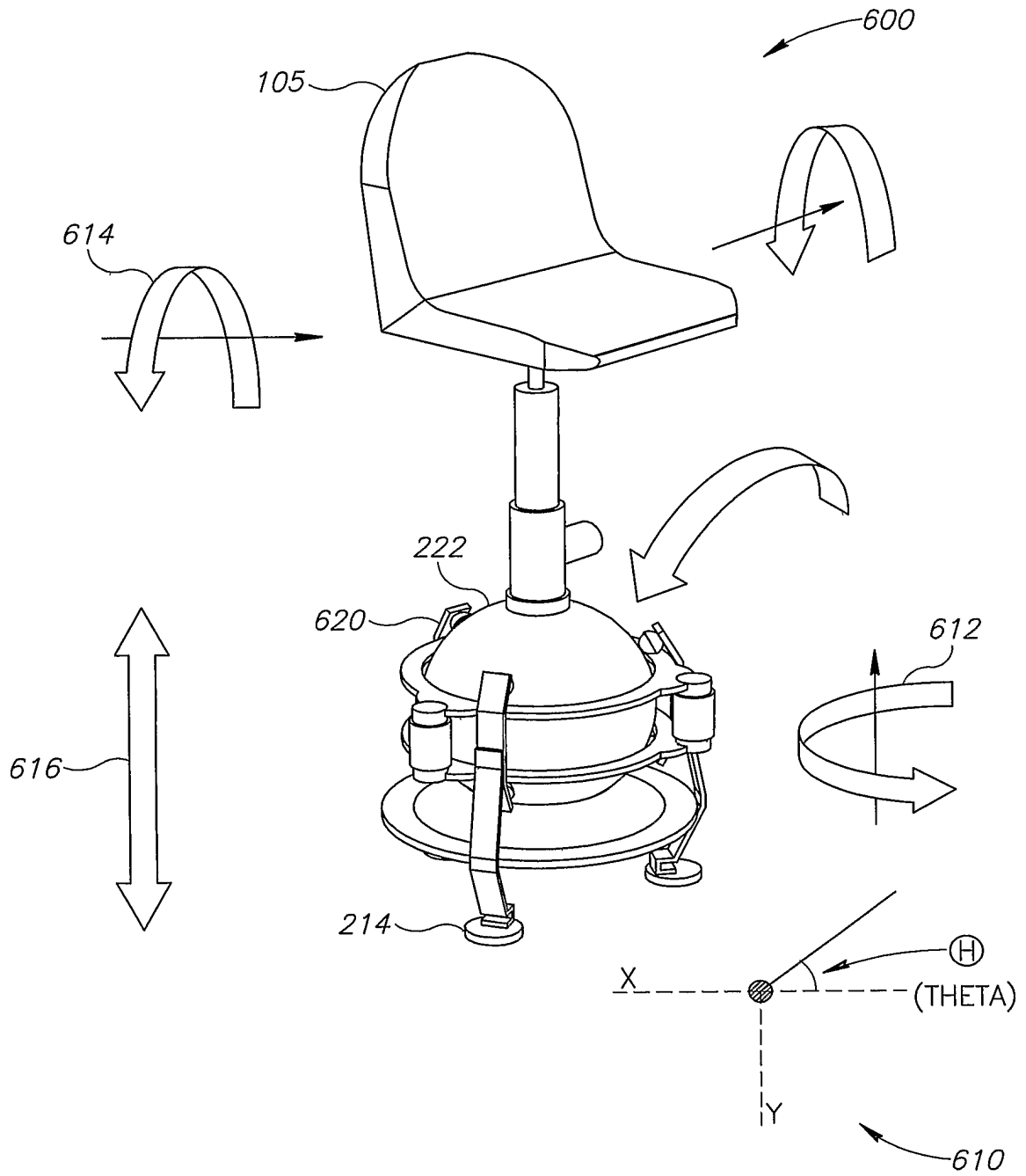


FIG. 6

7/17

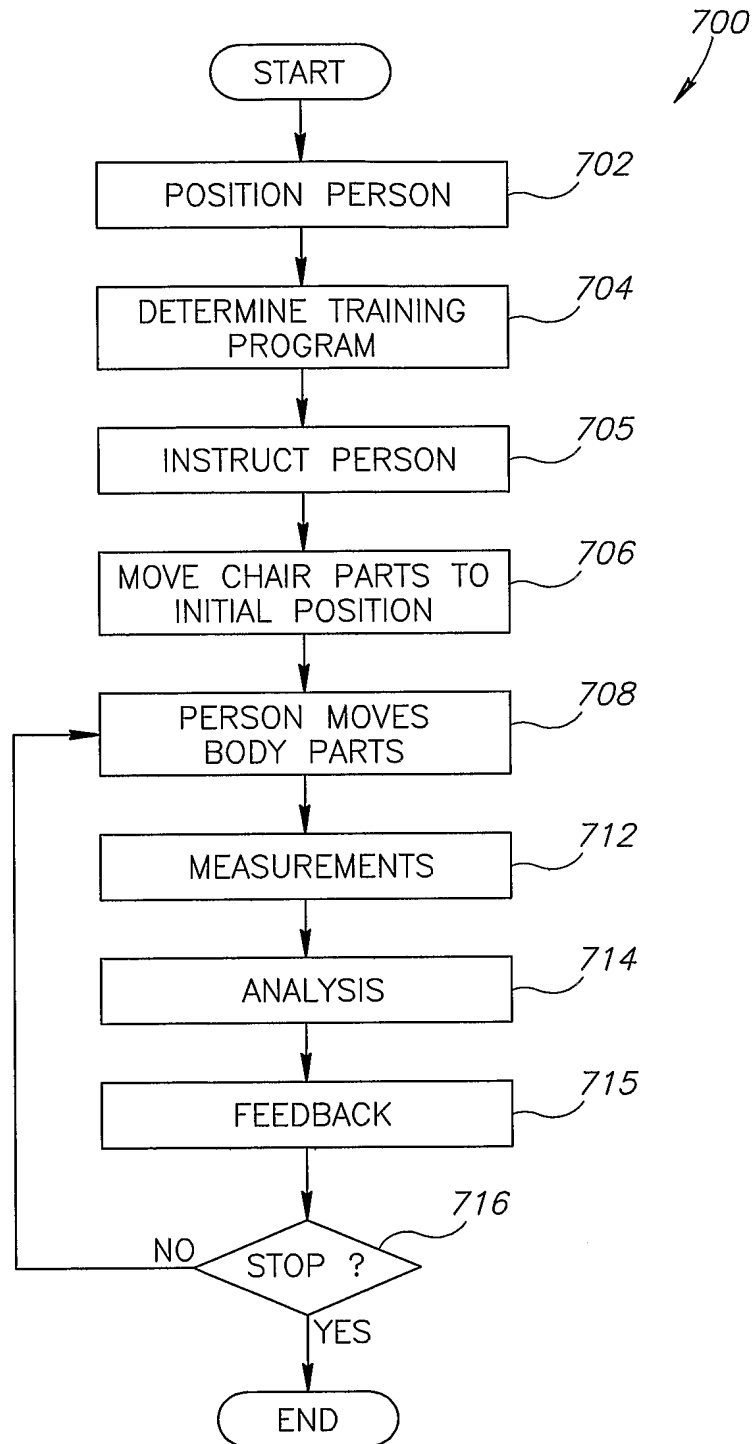


FIG.7

8/17

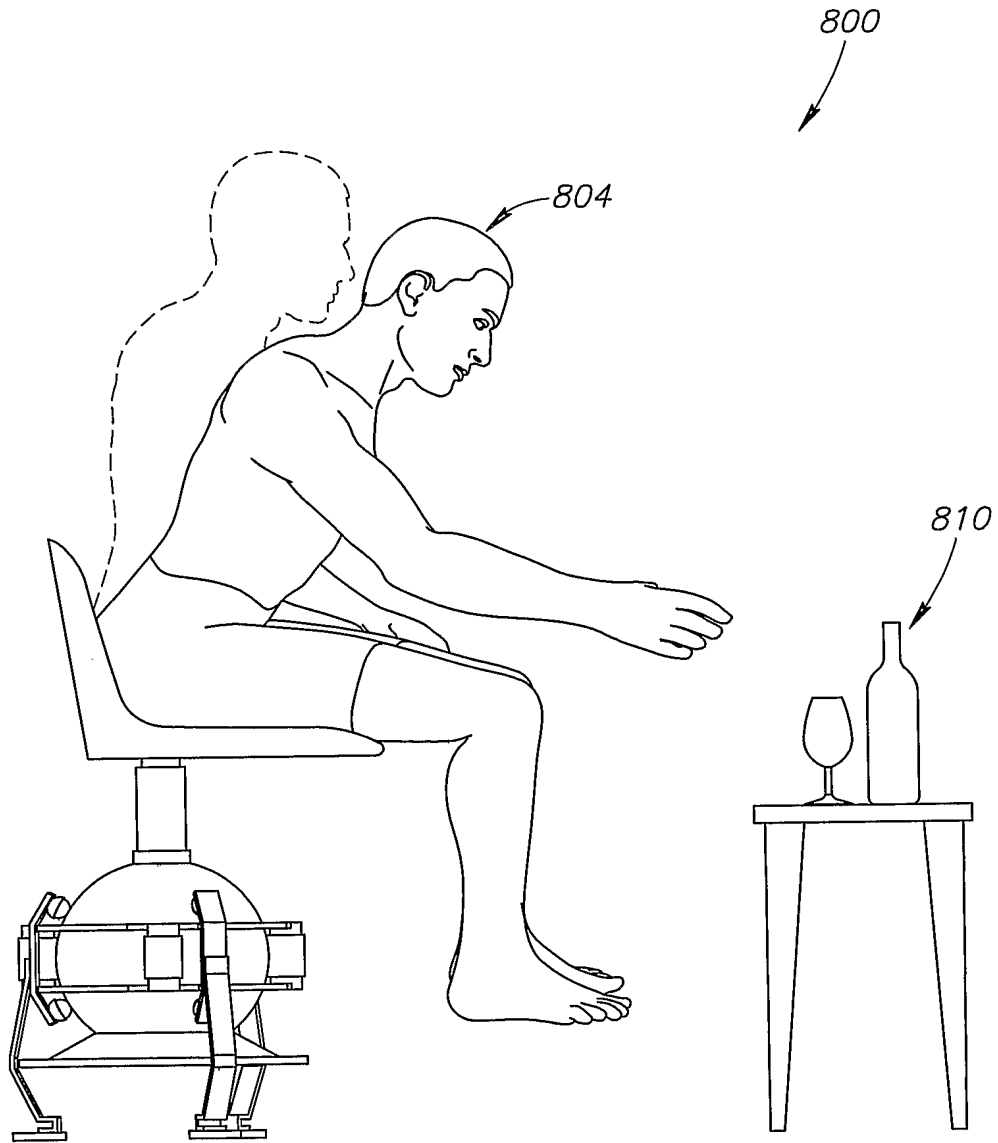


FIG. 8



9/17

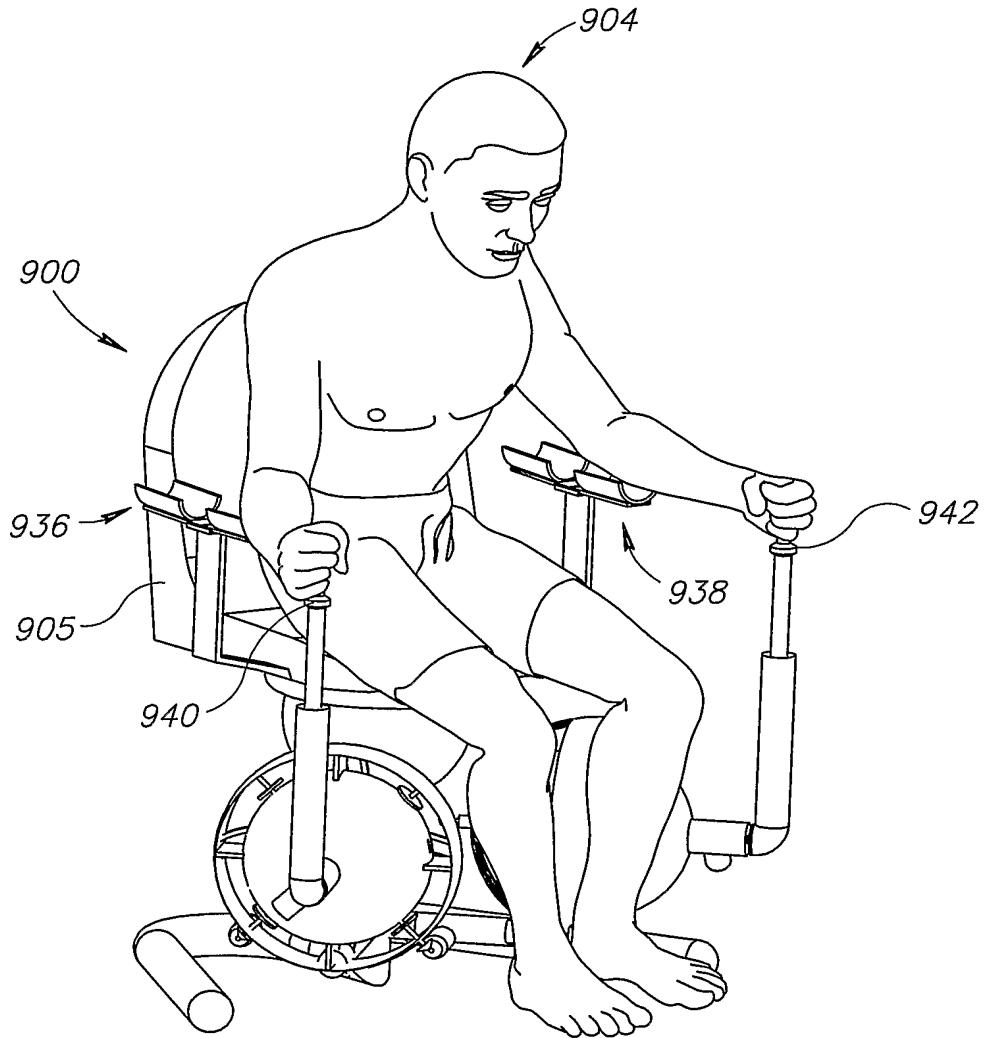


FIG. 9A

10/17

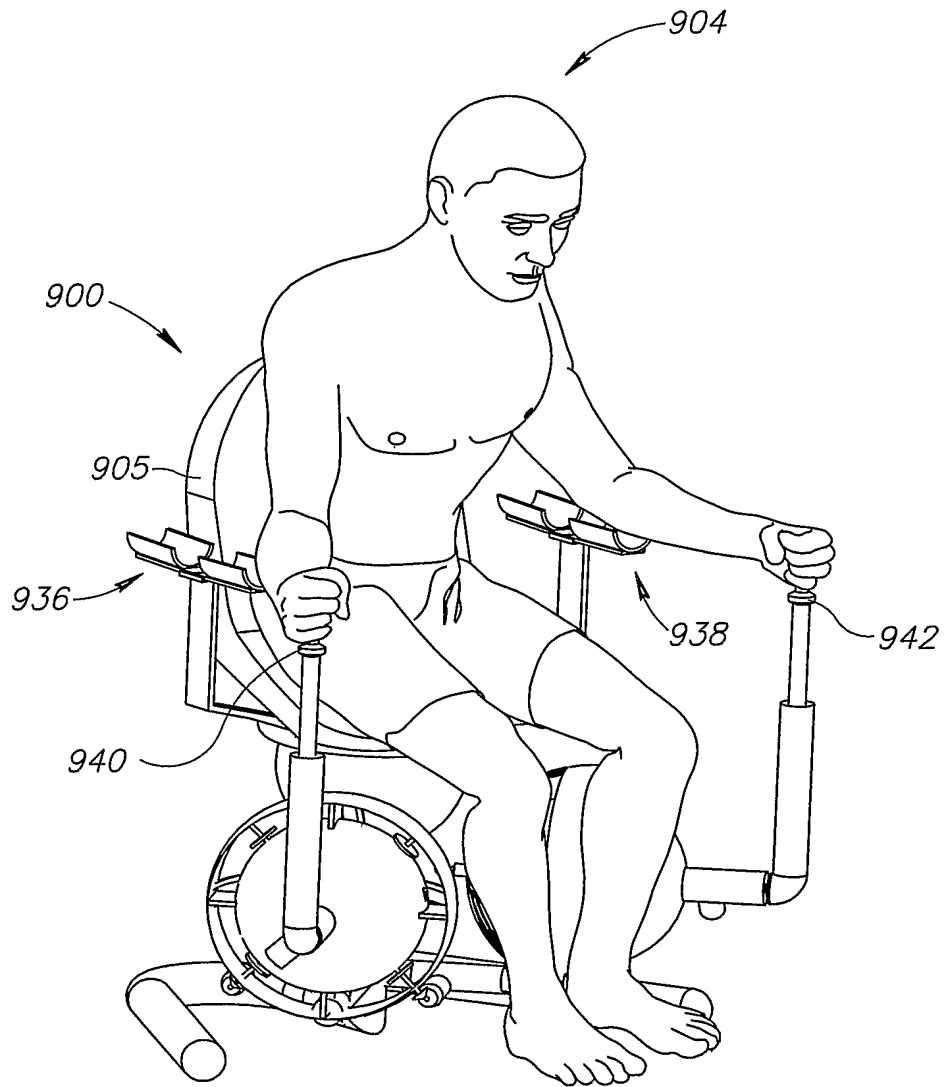


FIG. 9B

11/17

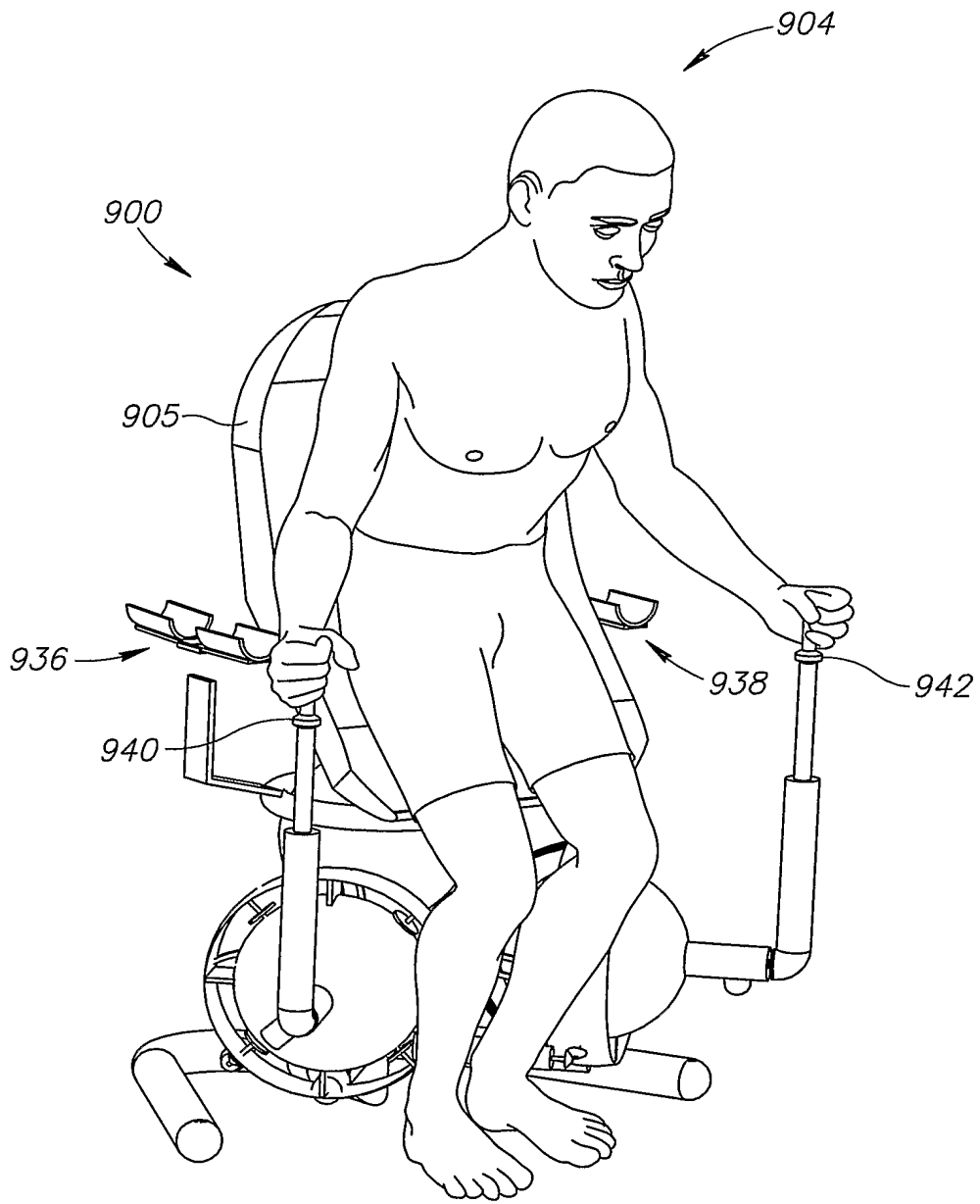


FIG.9C

12/17

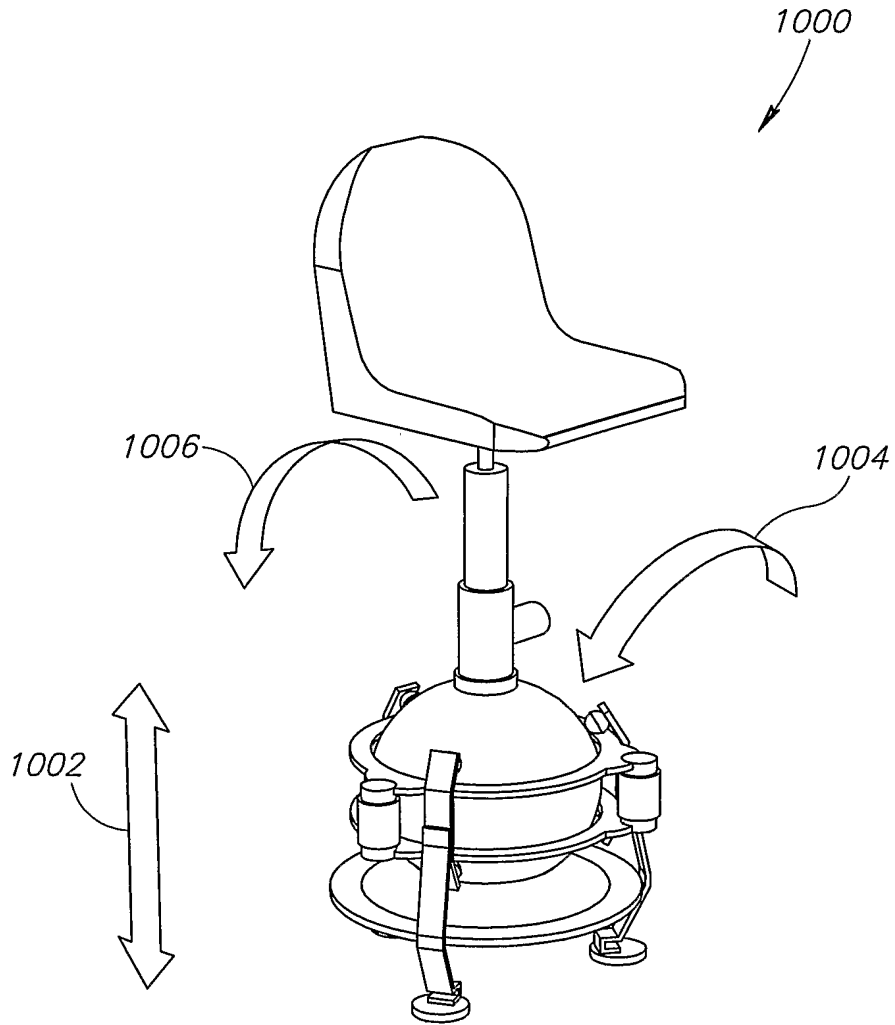


FIG.10

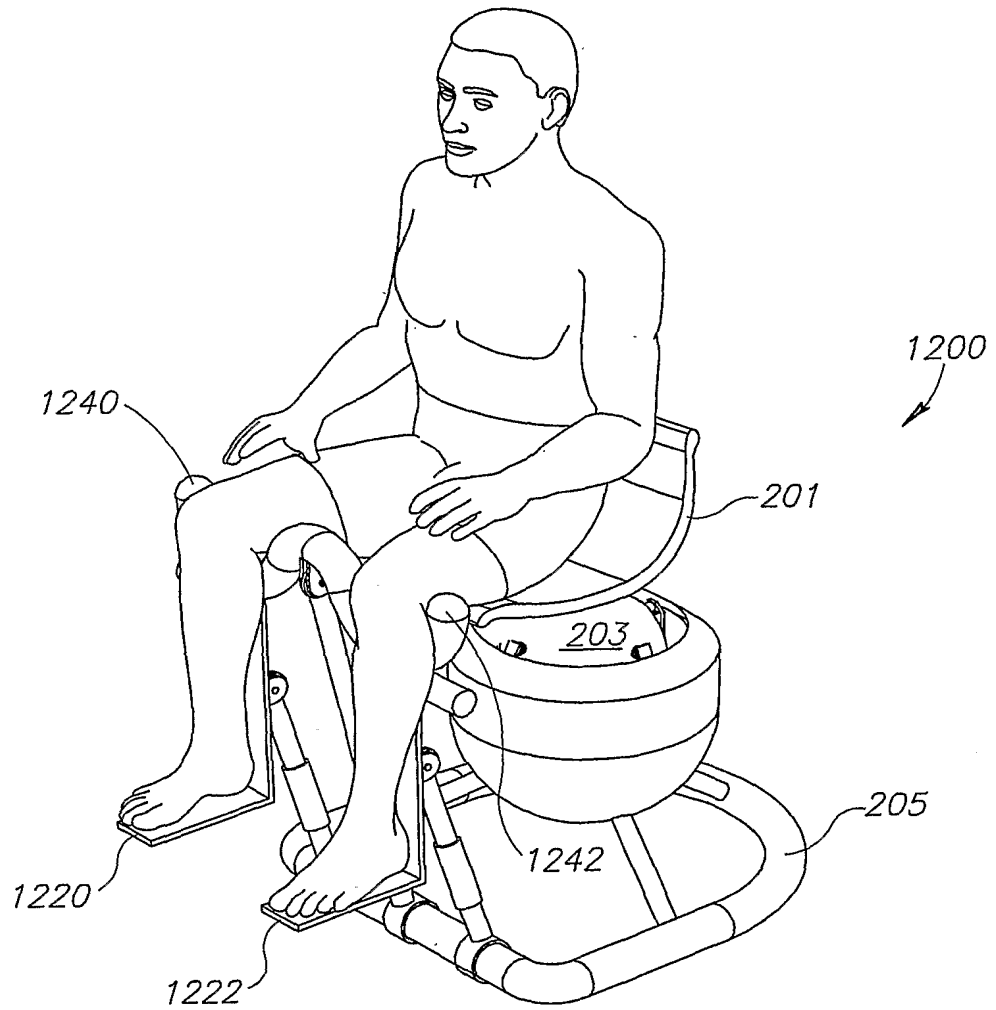


FIG.11

14/17

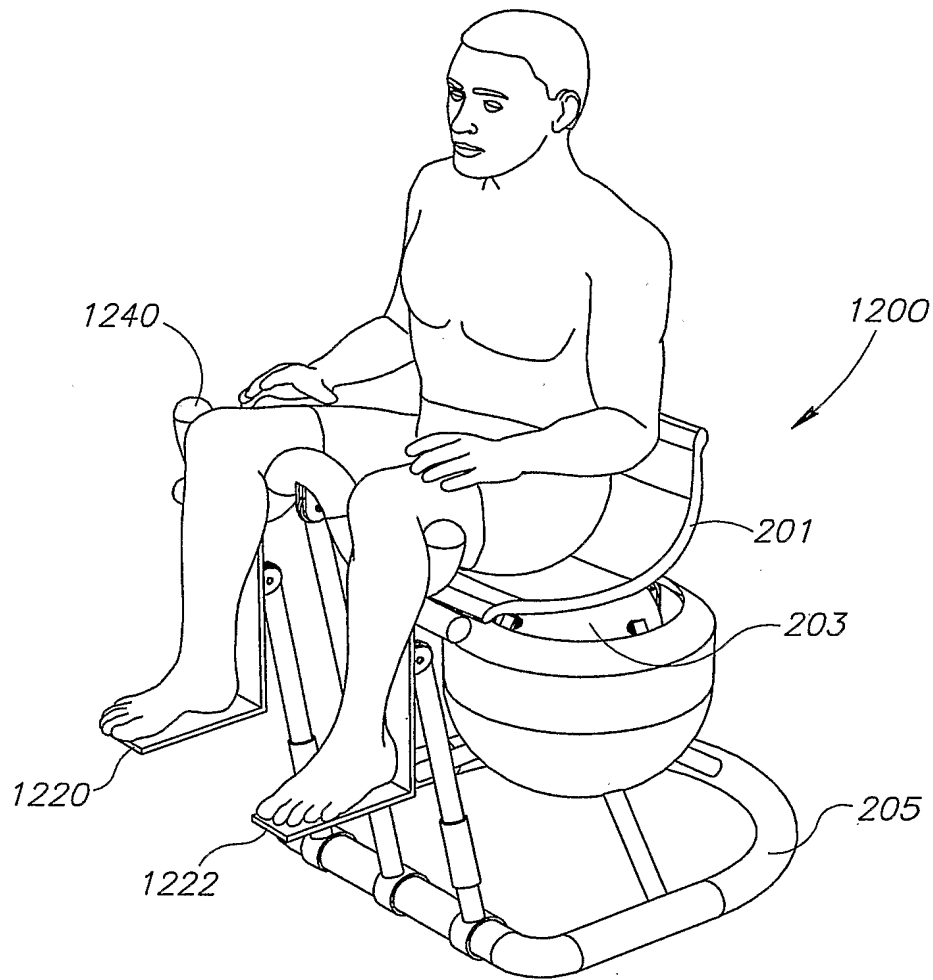


FIG.12

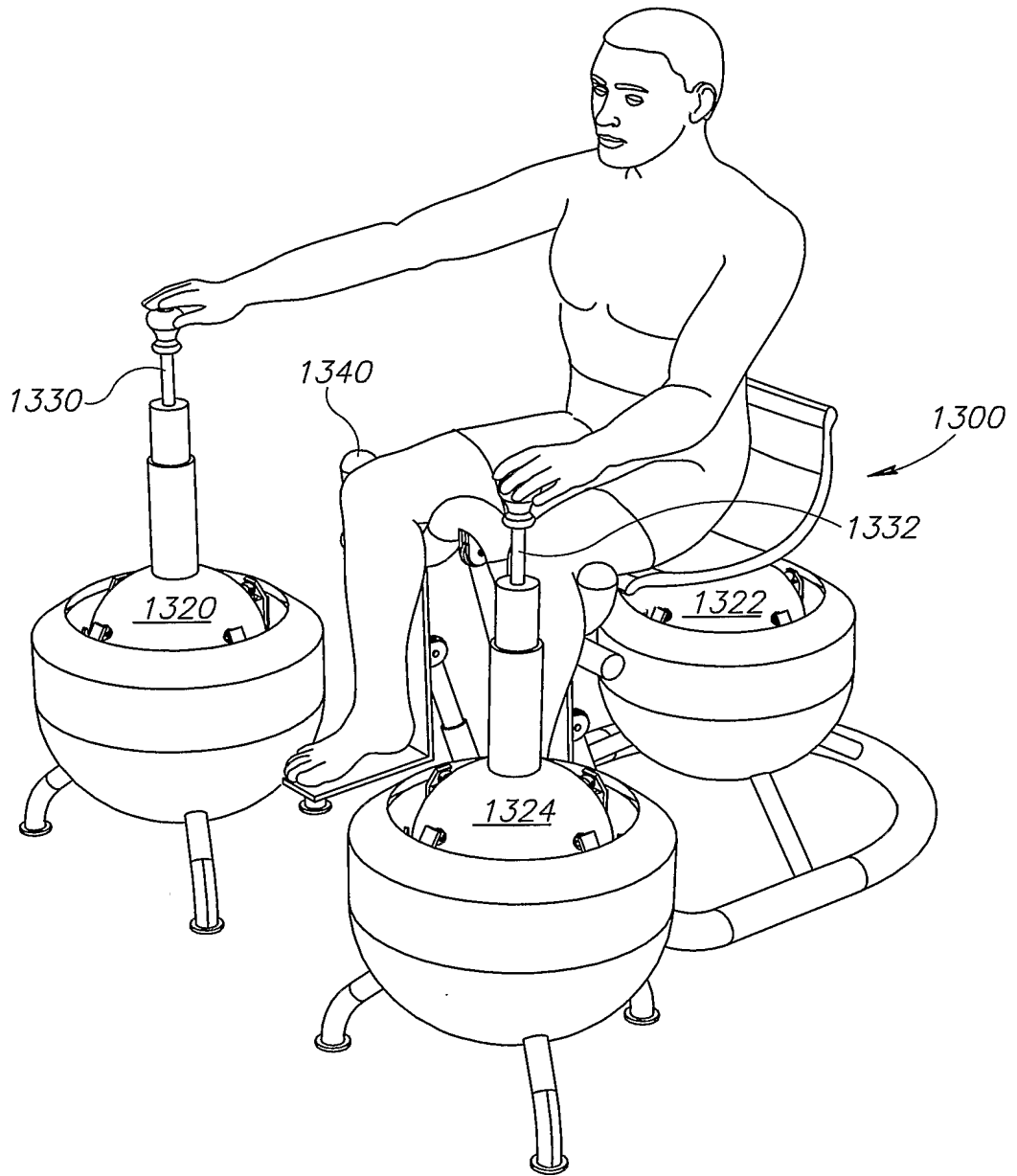


FIG.13

16/17

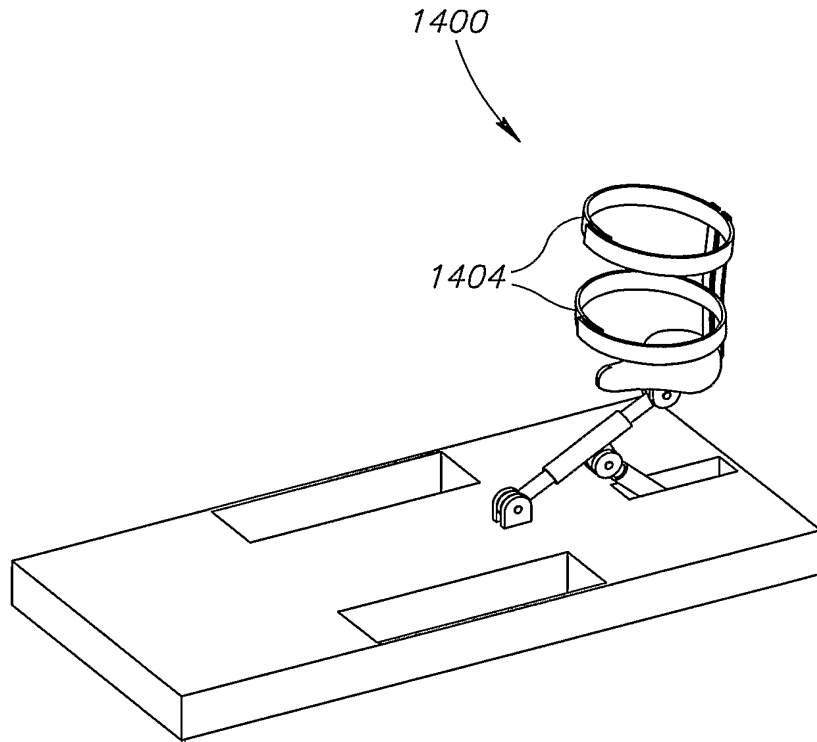


FIG.14A



17/17

